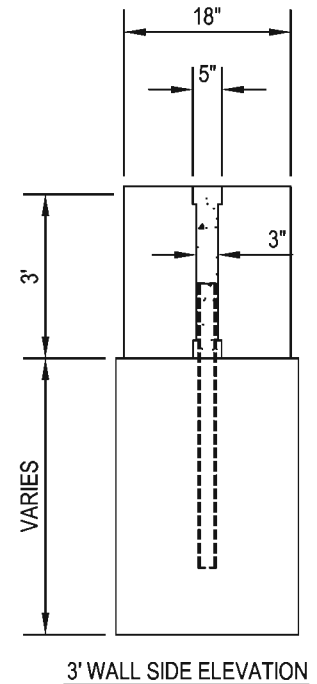
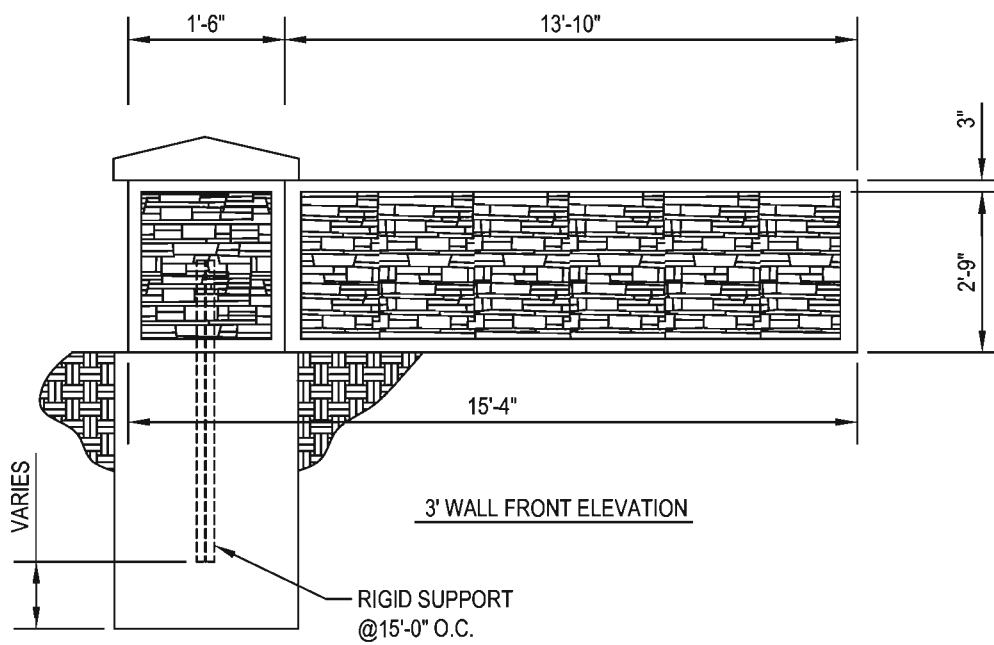
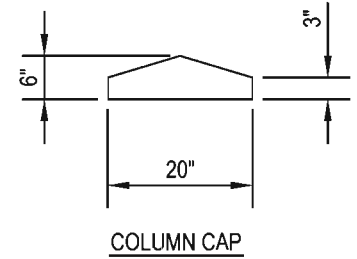
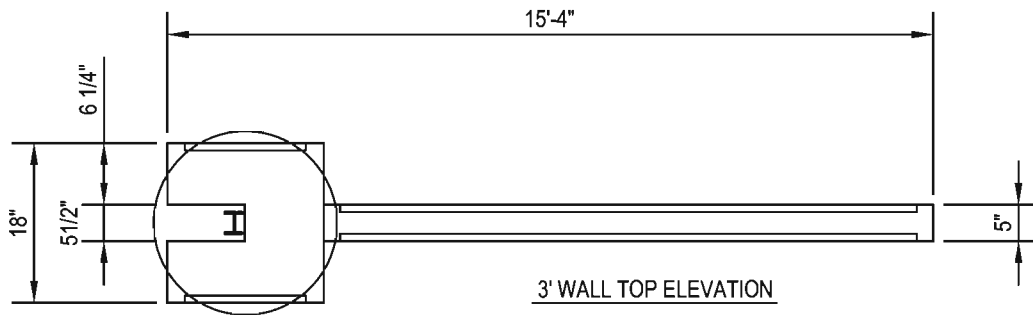


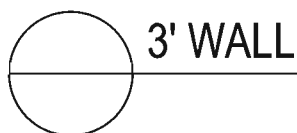


4730 S. RIVERSIDE DRIVE
 SALT LAKE CITY, UT 84123
 TOLL FREE: 1-866-370-3676
 PHONE: (801) 281-2262
 FAX: (801) 281-2272
 www.stonetreefence.com



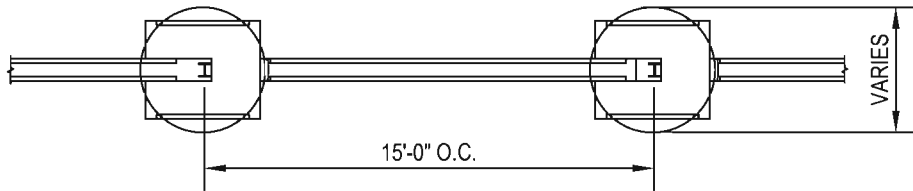
NOTES:

1. INSTALLATION TO COMPLY WITH ENGINEERING FOR WIND LOADS, SOIL CONDITIONS (AND SEISMIC WHERE APPLICABLE).
2. DRAWINGS NOT TO SCALE.
3. VARIOUS TEXTURED FINISHES ARE AVAILABLE BUT NOT IN ALL MARKETS.
CHECK WITH AFTEC FOR THE LOCATIONS & DESIGNS PRODUCED BY LICENSED MANUFACTURERS*.
4. FOOTING DIMENSIONS VARY ACCORDING TO WALL HEIGHT AND JOB SITE CONDITIONS.

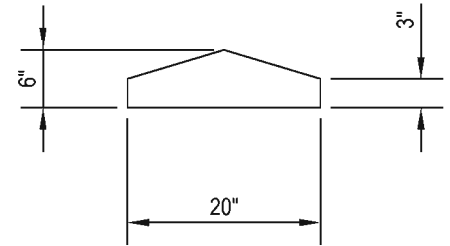




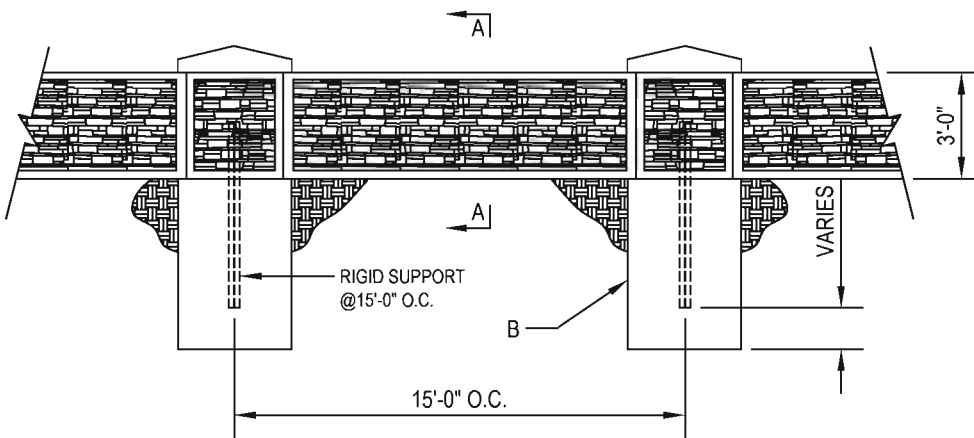
4730 S. RIVERSIDE DRIVE
 SALT LAKE CITY, UT 84123
 TOLL FREE: 1-866-370-3676
 PHONE: (801) 281-2262
 FAX: (801) 281-2272
 www.stonetreefence.com



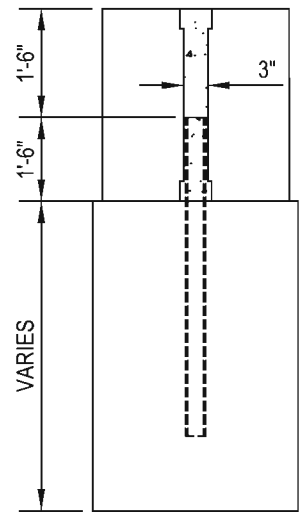
B - 3' WALL FOUNDATION
 TOP ELEVATION



COLUMN CAP



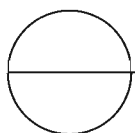
3' WALL WITH FOUNDATION
 ELEVATION



A-A 3' WALL WITH FOUNDATION
 ELEVATION SIDE ELEVATION

NOTES:

1. INSTALLATION TO COMPLY WITH ENGINEERING FOR WIND LOADS, SOIL CONDITIONS (AND SEISMIC WHERE APPLICABLE).
2. DRAWINGS NOT TO SCALE.
3. VARIOUS TEXTURED FINISHES ARE AVAILABLE BUT NOT IN ALL MARKETS.
 CHECK WITH AFTEC FOR THE LOCATIONS & DESIGNS PRODUCED BY LICENSED MANUFACTURERS*.
4. FOOTING DIMENSIONS VARY ACCORDING TO WALL HEIGHT AND JOB SITE CONDITIONS.

 3' WALL SYSTEM ELEVATION